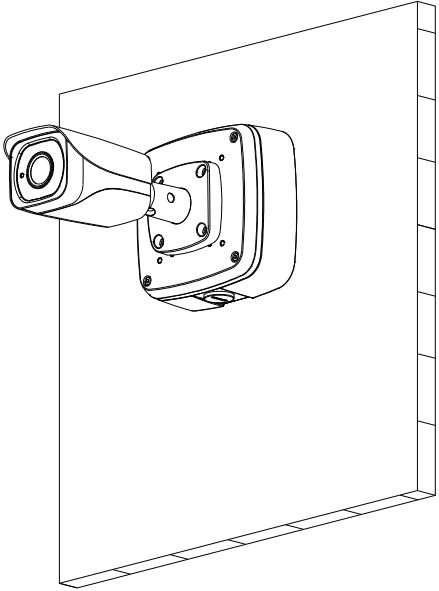
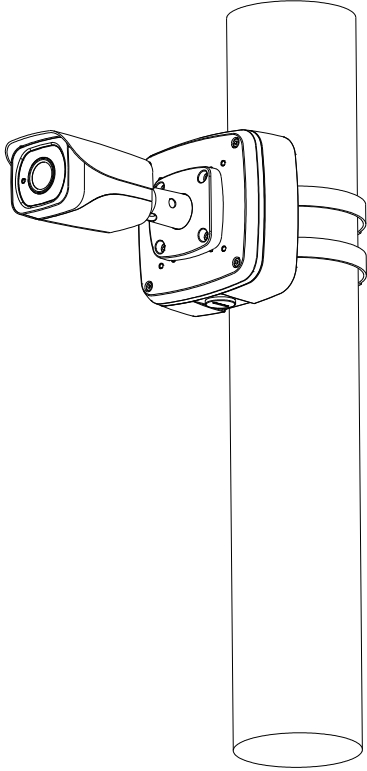


Junction Mount	Pole Mount
PFA121	PFB121 + PFA152-E
 A technical line drawing showing a camera lens assembly mounted on a square junction box. The junction box is mounted to a flat rectangular surface, likely a wall or ceiling. The camera lens is positioned to the left of the junction box, pointing outwards.	 A technical line drawing showing a camera lens assembly mounted on a cylindrical pole. The camera lens is positioned to the left of the pole, pointing outwards. The mounting hardware includes a bracket that wraps around the pole to secure the junction box.