

VTO6100C

IP Villa Outdoor Station



Technical Specification

Model	VTO6100C
-------	----------

System

Main Processor	Embedded Micro Processor
Operation System	Embedded LINUX OS

Video

Video Compression	H.264
Image Sensor	1/3" 1.3MP CMOS
Lens	3.6mm
Angle of View	D:95° H:75°
Day/Night	Color Image

Audio

Audio Compression	G.711
Audio Input	Omnidirectional Mic
Audio Output	Built-in Speaker
Bidirectional Talk	Support Dual-way Bidirectional talk

Operation Mode

Keypad	Single Mechanical Button
Reader	Mifare Card

Interface

Door Control	1
Alarm In	2(1ch unlock button, 1ch feedback)
RS485	-

Network

Ethernet	10M/100Mbps Self-adaptive
----------	---------------------------

Features

- HD CMOS camera
- Plastic panel, IP54
- Night vision & Voice indication
- Video & Audio messaging
- Remote intercom with mobile APP
- Flush mounted

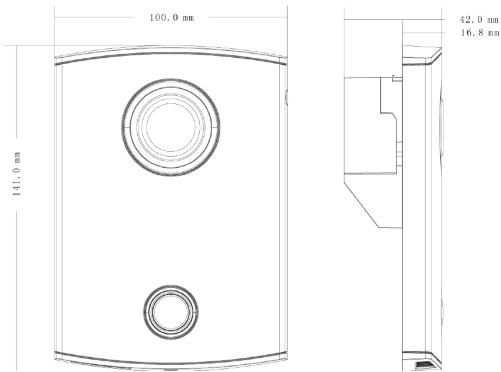


Network Protocol	TCP/IP
------------------	--------

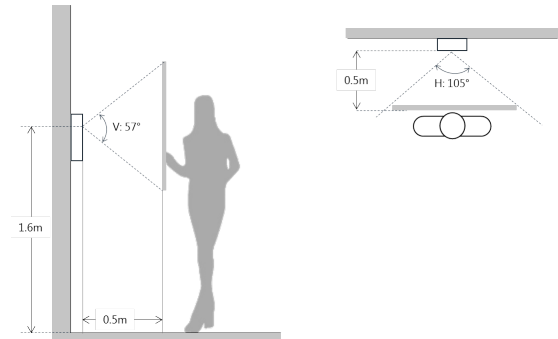
General

Ingress Protection	IP54
Tamper Switch	1
Installation	Flush
Material	Plastic
Power	DC 12V
Power Consumption	Standby ≤1W, Work ≤10W
Working Temperature	-30°C~+60°C
Relative Humidity	10%~90%RH
Dimensions	100.0mm×141.0mm×42.0mm
Weight	0.4Kg

Dimensions



View Area



Application

